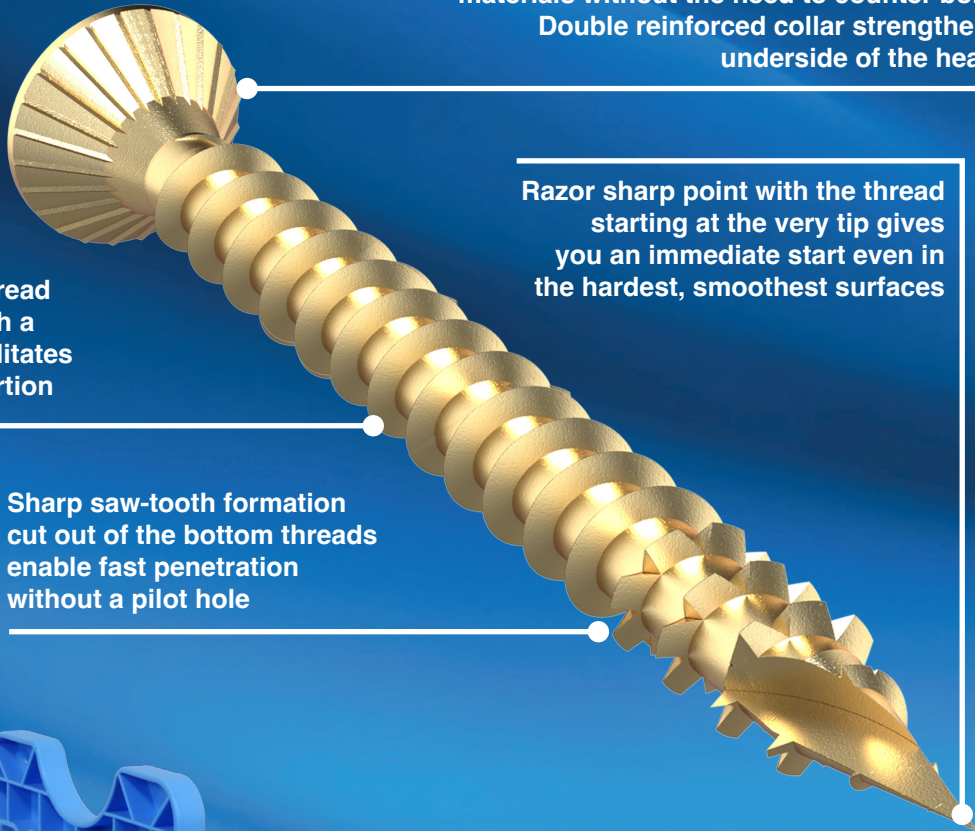


OPTIMAXX[®]

OPTIMUM DESIGN, MAXIMUM PERFORMANCE

DECLARATION OF PERFORMANCE

Unique 24 grooves self countersink into all materials without the need to counter bore.
Double reinforced collar strengthens underside of the head.



Sharp, wide, deep thread formation coated with a unique lubricant facilitates fast continuous insertion

Razor sharp point with the thread starting at the very tip gives you an immediate start even in the hardest, smoothest surfaces

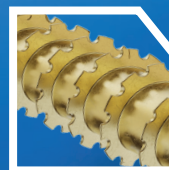
Sharp saw-tooth formation cut out of the bottom threads enable fast penetration without a pilot hole



24 Slot Countersink



Wide Deep Thread



Sharp Sawtooth



Razor Sharp Point

OPTIMAXX WOOD SCREW TX-FULL THREAD

DECLARATION OF PERFORMANCE

in accordance with the Construction Products Regulations

Release: 001

Product Type: Optimaxx Wood Screw TX-Full Thread

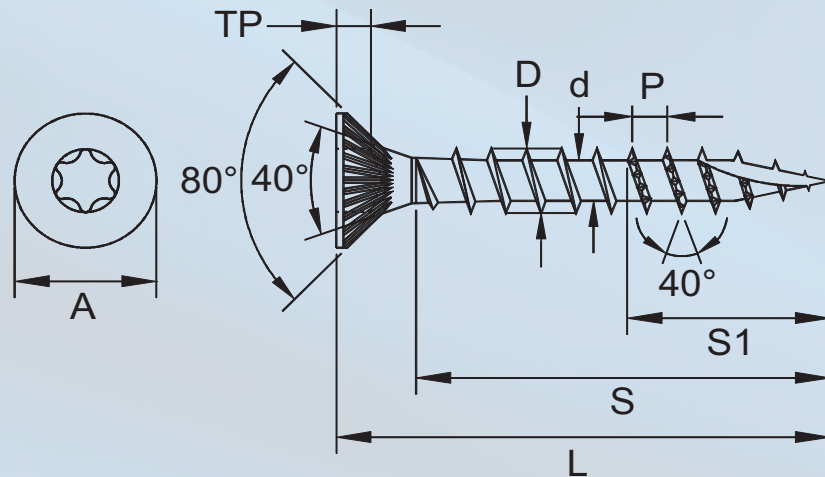
Material: SAE C1022

Recess: TX

Specifications: Yellow Zinc 5 μ +Wax(1:3); MAXXTECT Coating (Exterior Brown) 2000HR
Surface Hardness: HV450~650; Core Hardness: HV320~430; Bending Angle: >30°Breaking

**Manufacturer/
Importer:**

ROYD, Saxon House,
23 Springfield Lyons
Approach, Springfield,
Chelmsford, CM2 5LB



Unit: mm								
Size	A	TX Gage		D	d	P	Wire	Torque (kgf.cm)
		Recess	TP					
M3.5	6.70 6.40	T10	1.70 1.50	3.50 3.30	2.30 2.10	2.10	2.50	22
M4.0	7.70 7.40	T20	1.60 1.40	4.00 3.75	2.60 2.35	2.40	2.80	33
M4.5	8.50 8.20	T20	2.00 1.70	4.50 4.25	2.90 2.65	2.70	3.20	45
M5.0	9.50 9.20	T25	2.20 1.90	5.00 4.70	3.20 2.90	3.00	3.47	62
Length	S1		S		L			
20	5.5~8.5		Full		18.95~20			
25	6.5~9.5		Full		23.95~25			
30	8.5~11.5		Full		28.95~30			
35	10.5~13.5		Full		33.75~35			
40	11.5~14.5		Full		38.75~40			
45	13.5~16.5		Full		43.75~45			
50	14.5~17.5		Full		48.75~50			

Signed By:

Name: Stuart Atkins

Position: Quality & Compliance Manager

Release Date: 01/12/2023

Saxon House, 23 Springfield Lyons Approach, Springfield, Chelmsford CM2 5LB
Reg: 10345480