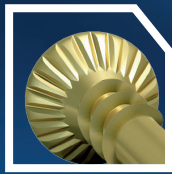


OPTIMAXX[®]

OPTIMUM DESIGN, MAXIMUM PERFORMANCE

DECLARATION OF PERFORMANCE



**24 Slot
Countersink**
Clean flush finish



Top Thread
Clamps boards
to joist



**Razor
Sharp Point**
Fast start
and reduced
splitting



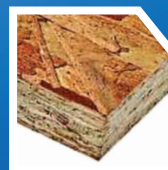
**Sharp
Sawtooth**
No pilot hole
required



Chipboard



**MDF and
Medite**



OSB



Plywood

OPTIMAXX FLOORING SCREW TX-PARTIAL THREAD

DECLARATION OF PERFORMANCE

in accordance with the Construction Products Regulations

Release: 001

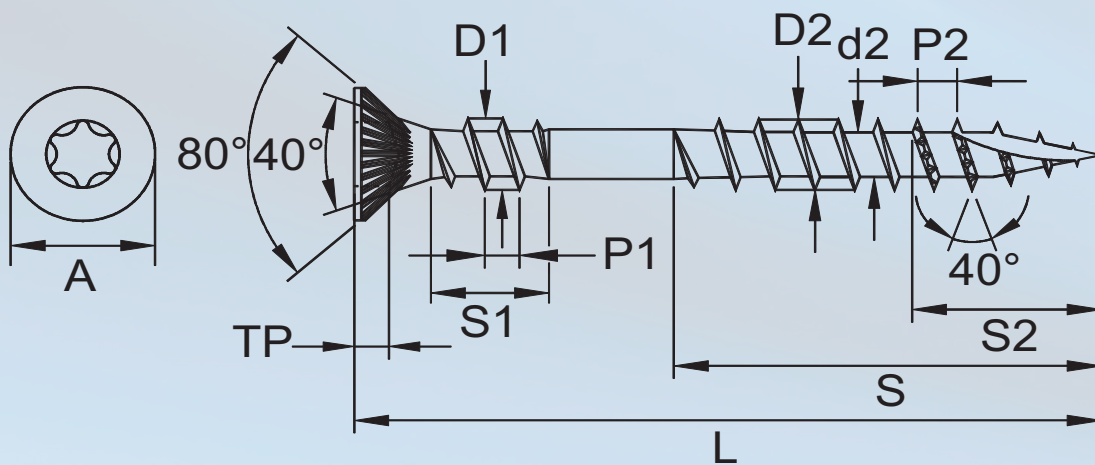
Product Type: Optimaxx Flooring Screw TX-Partial thread

Material: SAE C1022

Recess: TX

Specifications: Yellow Zinc 5μ +Wax(1:3); Surface Hardness: HV450~650; Core Hardness: HV320~430; Bending Angle: $>30^\circ$ Breaking

Manufacturer/Importer: ROYD, Saxon House, 23 Springfield Lyons Approach, Springfield, Chelmsford, CM2 5LB



Unit: mm

Size	A	TX Gage		D1	S1	P1	D2	d2	P2	Wire	Torque (kgf.cm)
		Recess	TP								
M4.0	7.70 7.40	T20	1.60 1.40	4.00 3.75	11.00 9.00	2.20	4.00 3.75	2.60 2.35	2.40	2.80	33
Length	S2		S		L						
50	11.5~14.5		25~27		48.75~50						

Signed By:

Name: Stuart Atkins

Position: Quality & Compliance Manager

Release Date: 01/12/2023

Saxon House, 23 Springfield Lyons Approach, Springfield, Chelmsford CM2 5LB
Reg: 10345480