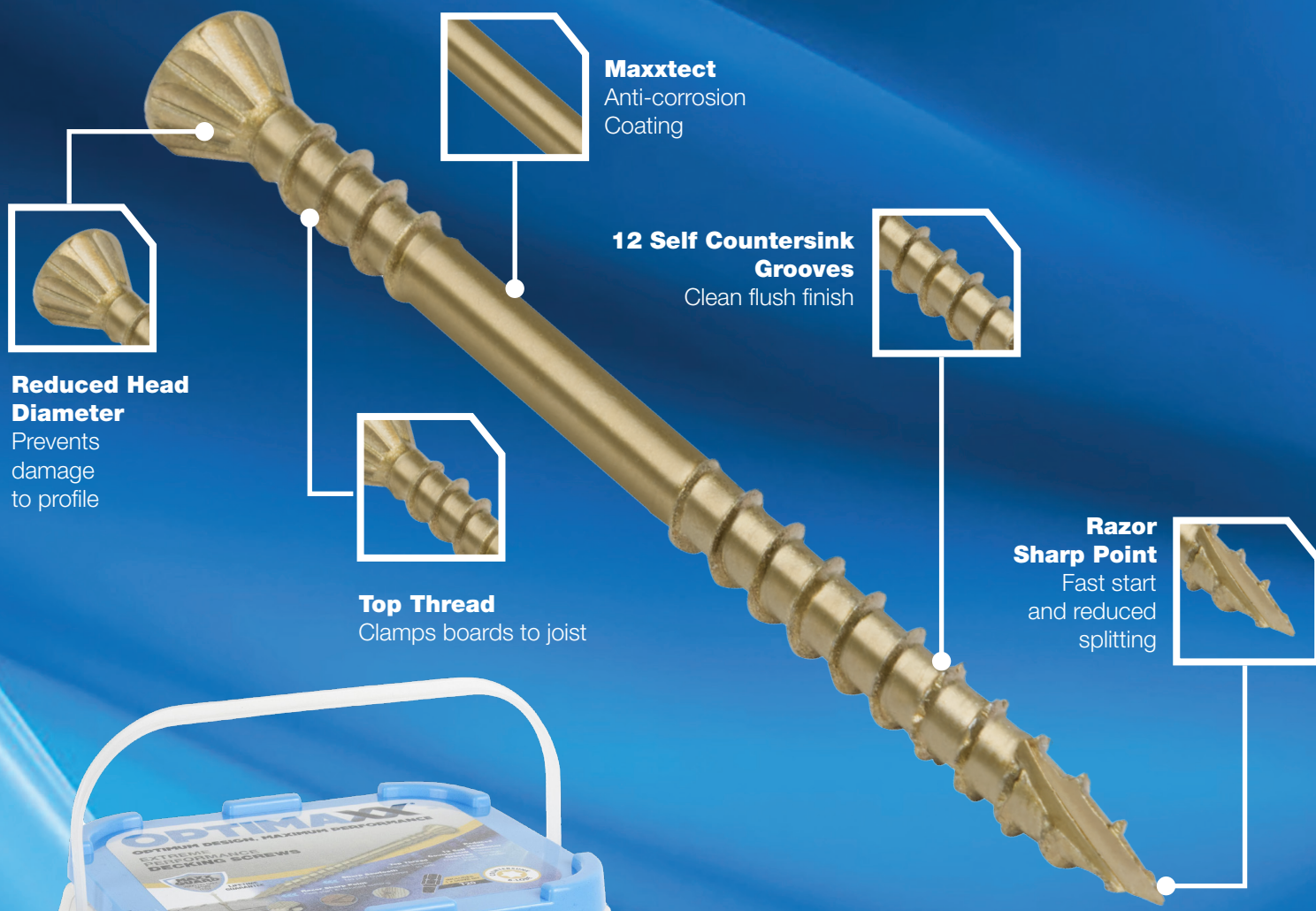


# OPTIMAXX<sup>®</sup>

**OPTIMUM DESIGN, MAXIMUM PERFORMANCE**

## DECLARATION OF PERFORMANCE



**Reduced Head Diameter**

Prevents damage to profile

**Maxxtect**  
Anti-corrosion  
Coating

**12 Self Countersink Grooves**  
Clean flush finish

**Razor Sharp Point**  
Fast start  
and reduced  
splitting

**Top Thread**  
Clamps boards to joist



Timber Decking



Composite Decking



Hardwood Decking

**OPTIMAXX DECKING SCREW TX-PARTIAL THREAD**

# DECLARATION OF PERFORMANCE

in accordance with the Construction Products Regulations

Release: 001

**Product Type:** Optimaxx Decking Screw TX-Partial thread

**Material:** 10B21

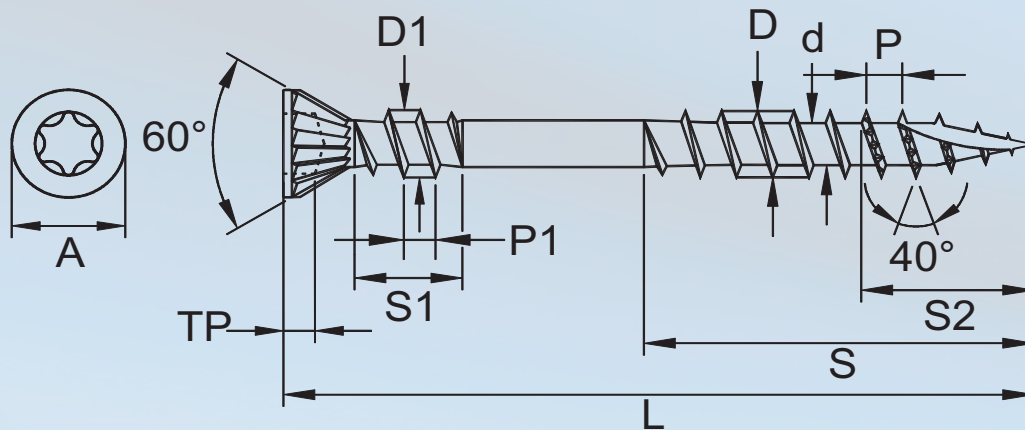
**Recess:** TX

**Specifications:** MAXXTECT Coating (Exterior Brown) 2000HR

Surface Hardness: Min. HV420; Core Hardness: HV320~450;

Bending Angle: >45° Breaking

**Manufacturer/Importer:** ROYD, Saxon House, 23 Springfield Lyons Approach, Springfield, Chelmsford, CM2 5LB



Unit: mm

| Size   | A         | TX Gage |           | D1   | S1        | P1   | D    | d    | P    | Wire | Torque (kgf.cm) |
|--------|-----------|---------|-----------|------|-----------|------|------|------|------|------|-----------------|
|        |           | Recess  | TP        |      |           |      |      |      |      |      |                 |
| M4.5   | 7.80      | T20     | 2.20      | 4.61 | 11.00     | 2.50 | 4.61 | 3.30 | 2.70 | 3.47 | 62              |
|        | 7.30      |         | 1.90      | 4.38 | 9.00      |      | 4.38 | 3.10 |      |      |                 |
| M5.0   | 8.30      | T25     | 2.10      | 5.13 | 11.00     | 2.80 | 5.13 | 3.60 | 3.00 | 3.80 | 85              |
|        | 7.80      |         | 1.80      | 4.87 | 9.00      |      | 4.87 | 3.40 |      |      |                 |
| Length | S2        |         | S1        |      | L         |      |      |      |      |      |                 |
| 50     | 13.5~16.5 |         | 28.5~31.5 |      | 49.0~51.0 |      |      |      |      |      |                 |
| 65     | 13.5~16.5 |         | 28.5~31.5 |      | 64.0~66.0 |      |      |      |      |      |                 |

**Signed By:**

**Name:** Stuart Atkins

**Position:** Quality & Compliance Manager

**Release Date:** 01/12/2023

Saxon House, 23 Springfield Lyons Approach, Springfield, Chelmsford CM2 5LB  
Reg: 10345480